



AMBIKA ENGINEERING WORKS

19, Gr.Floor,Shanta Industrial Premises Co-op Society Ltd, I.BPatel Road, Goregaon (East) Mumbai - 400063

Tel : 022-26858793 • Cell : 09821271748 • Telefax : 022-26852558

THREE PIECE SOCKETWELD BALLVALVE

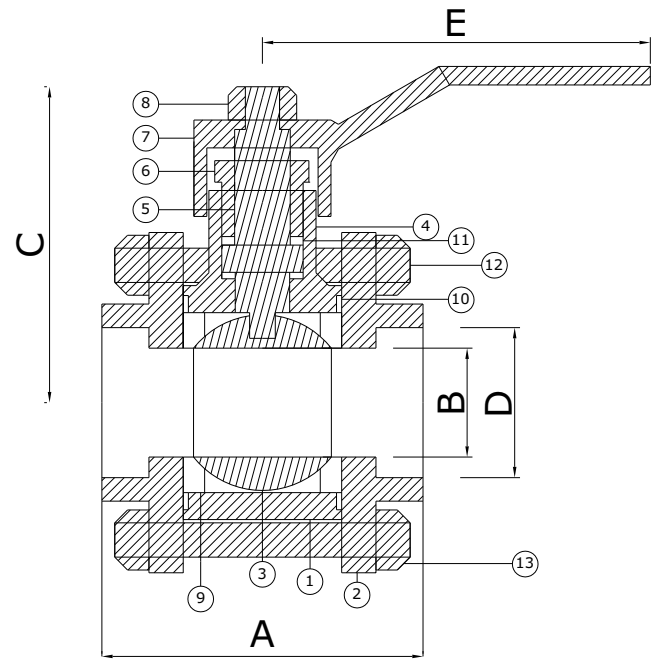
Salient Features and Specialities:

- ✦ Positive shut off
- ✦ Longer life
- ✦ Quick in action
- ✦ No lubrication
- ✦ Visual on / off indication
- ✦ Compact design
- ✦ Corrosion resistant
- ✦ Low pressure drop
- ✦ Simplicity
- ✦ Designs available in one piece / two piece / three piece
- ✦ Available in both regular port & full port patterns

Size range : ½" to 6"



Sr. No.	NAME OF PARTS	MATERIAL
1	BODY	A.I.S.I 304 / 316 / W.C.B.
2	ADAPTOR	A.I.S.I 304 / 316 / W.C.B.
3	BALL	A.I.S.I 304 / 316
4	SPINDLE	A.I.S.I 304 / 316
5	BONNET	A.I.S.I. 304 / 316 / W.C.B.
6	GLANDNUT	A.I.S.I 304 / M.S.
7	HANDLE	A.I.S.I. 304 / M.S.
8	NUT	A.I.S.I. 304 / M.S.
9	STUD	A.I.S.I. 304 / M.S.
10	SEAL	P.T.F.E.
11	BODY SEAL	P.T.F.E.
12	GLAND SEAL	P.T.F.E.



SIZE	A	B	C	D	E
15 (N.B.)	63 M.M.	12 M.M.	68 M.M.	²² FOR 1/2" (N.B.PIPE)	150
20 (N.B.)	70 M.M.	19 M.M.	72 M.M.	²⁸ FOR 3/4" (N.B.PIPE)	150
25 (N.B.)	75 M.M.	25 M.M.	77 M.M.	³⁵ FOR 1" (N.B.PIPE)	150
40 (N.B.)	100 M.M.	38 M.M.	82 M.M.	⁵⁰ FOR 1 1/2" (N.B.PIPE)	150
50 (N.B.)	127 M.M.	50 M.M.	91 M.M.	⁶² FOR 2" (N.B.PIPE)	150
65 (N.B.)	152 M.M.	63 M.M.	125 M.M.	⁷⁶ FOR 2 1/2" (N.B.PIPE)	150
75 (N.B.)	178 M.M.	75 M.M.	135 M.M.	⁹¹ FOR 3" (N.B.PIPE)	150
100 (N.B.)	203 M.M.	100 M.M.	165 M.M.	¹¹⁶ FOR 4" (N.B.PIPE)	150

For 5", 6" contact at : valves@ambikavalves.com