



AMBIKA ENGINEERING WORKS

19, Gr.Floor,Shanta Industrial Premises Co-op Society Ltd, I.BPatel Road, Goregaon (East) Mumbai - 400063

Tel : 022-26858793 • Cell : 09821271748 • Telefax : 022-26852558

FLUSH BOTTOM VALVE

Salient Features and Specialities:

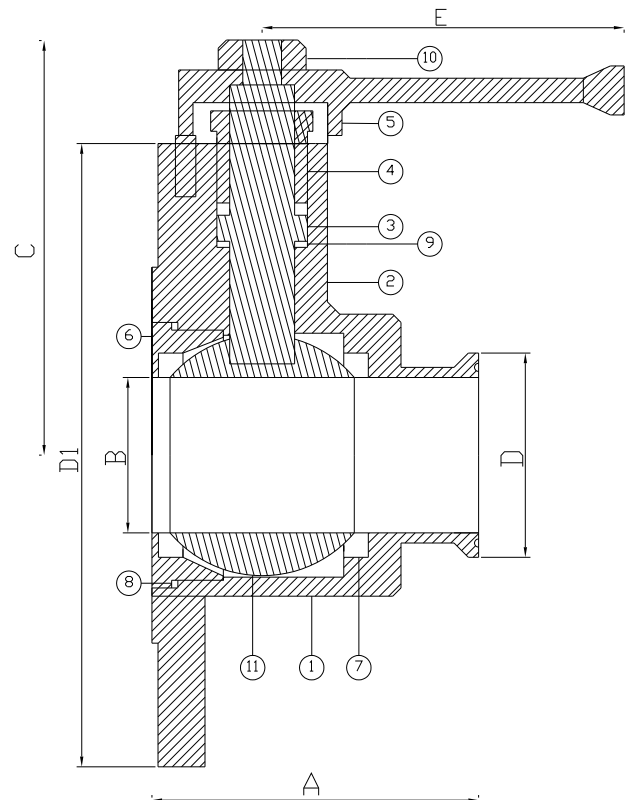
- + Positive shut off
- + Longer life
- + Quick in action
- + No lubrication
- + Visual on / off indication
- + Compact design
- + Corrosion resistant
- + Low pressure drop
- + Simplicity
- + Designs available in one piece / two piece / three piece
- + Available in both regular port & full port patterns

Size range : ½" to 6"

SR. NO.	NAME OF PART	MATERIAL
1	BODY	A.I.S.I.304 /316 W.C.B.
2	BONNET	A.I.S.I.304 /316 W.C.B.
3	SPINDLE	A.I.S.I.304 /316
4	G.NUT	A.I.S.I.304 /316 W.C.B.
5	HANDLE	A.I.S.I.304/M.S.
6	ADAPTOR	A.I.S.I.304 /316 W.C.B.
7	SEAT	P.T.F.E.
8	BODY SEAL	P.T.F.E.
9	GLAND SEAL	P.T.F.E.
10	NUT	A.I.S.I.304/M.S.
11	BALL	A.I.S.I.304 /316



TC End Connection



SIZE	A	B	C	D	D1	E	F
25(N.B.)	52	25	85	50 (1" T.C.)	108 (1"A.S.A.-150)	140	3
40(N.B.)	80	38	100	50 (1 1/2" T.C.)	152 (2"A.S.A.-150)	150	3
50(N.B.)	100	50	123	63.5 (2" T.C.)	190 (3"A.S.A.-150)	180	4.5
65(N.B.)	125	63	130	77 (2 1/2" T.C.)	190 (3"A.S.A.-150)	225	6.5
80(N.B.)	145	76	154	91 (3" T.C.)	229 (4"A.S.A.-150)	280	6.5
100(N.B.)	190	100	175	119 (4" T.C.)	279 (6"A.S.A.-150)	300	6.5