



19, Gr.Floor,Shanta Industrial Premises Co-op Society Ltd, I.BPatel Road, Goregaon (East) Mumbai - 400063

Tel : 022-26858793 • Cell : 09821271748 • Telefax : 022-26852558

## THREE WAY BALL VALVE

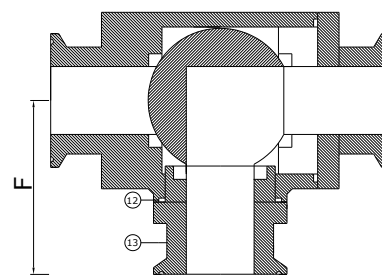
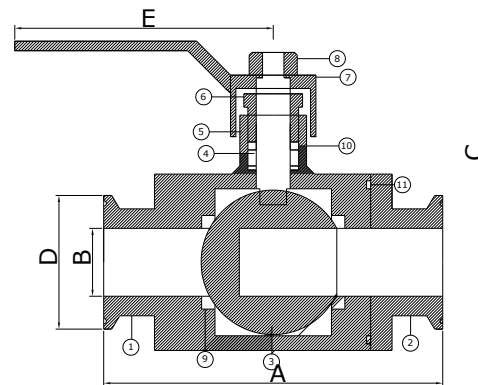
Salient Features and Specialities:

- ☒ Positive shut off
- ☒ Longer life
- ☒ Quick in action
- ☒ No lubrication
- ☒ Visual on / off indication
- ☒ Compact design
- ☒ Corrosion resistant
- ☒ Low pressure drop
- ☒ Simplicity
- ☒ Designs available in one piece / two piece / three piece
- ☒ Available in both regular port & full port patterns



Size range : 1/2" to 6"

### TC End Connection



TOP VIEW

Sr. No.	NAME OF PARTS	MATERIAL
1	BODY	A.I.S.I 304 / 316
2	ADAPTOR	A.I.S.I 304 / 316
3	BALL	A.I.S.I 304 / 316
4	SPINDLE	A.I.S.I 304 / 316
5	BONNET	A.I.S.I. 304 / 316
6	GLANDNUT	A.I.S.I 304 / 316
7	HANDLE	S.S. / M.S.
8	NUT	A.I.S.I. 304 / 316
9	SEAT	P.T.F.E.
10	SEAL	P.T.F.E.
11	BODY SEAL	P.T.F.E.
12	SIDE ADAPTOR SEAL	P.T.F.E.
13	SIDE ADAPTOR	A.I.S.I. 304 / 316

SIZE	A	B	C	D	E	F
15(N.B.)	96M.M.	12.7M.M.	68M.M.	T.C.Ø35M.M.	140M.M.	45M.M.
25(N.B.)	127M.M.	25M.M.	78M.M.	T.C.Ø50M.M.	140M.M.	65M.M.
40(R.B.)	140M.M.	32M.M.	88M.M.	T.C.Ø50M.M.	250M.M.	69M.M.
40(N.B.)	142M.M.	38M.M.	97M.M.	T.C.Ø50M.M.	250M.M.	74M.M.
50(N.B.)	152M.M.	50M.M.	112M.M.	T.C.Ø63.5M.M.	250M.M.	87M.M.

For 2 1/2", 3", 4" contact at : valves@ambikavalves.com