



19, Gr.Floor,Shanta Industrial Premises Co-op Society Ltd, I.BPatel Road, Goregaon (East) Mumbai - 400063

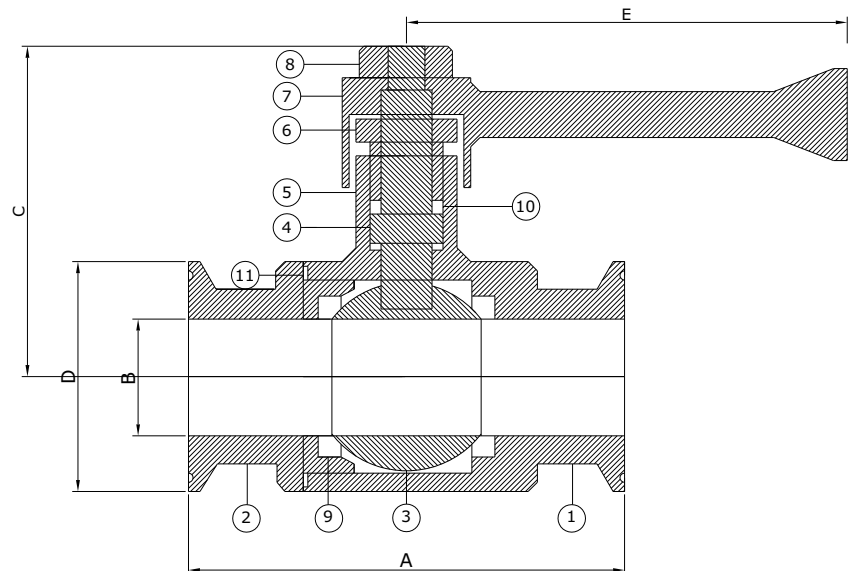
Tel : 022-26858793 • Cell : 09821271748 • Telefax : 022-26852558

3 PIECE TC BALL VALVE

Salient Features and Specialities:

- ✦ Positive shut off
- ✦ Longer life
- ✦ Quick in action
- ✦ No lubrication
- ✦ Visual on / off indication
- ✦ Compact design
- ✦ Corrosion resistant
- ✦ Low pressure drop
- ✦ Simplicity
- ✦ Designs available in one piece / two piece / three piece
- ✦ Available in both regular port & full port patterns

S.R. NO.	NAME OF PART	MATERIAL
1	BODY	A.I.S.I.304/316
2	ADAPTOR	A.I.S.I.304/316
3	BALL	A.I.S.I.304/316
4	SPINDLE	A.I.S.I.304/316
5	BONNET	A.I.S.I.304/316
6	GLANDNUT	A.I.S.I.304/316
7	HANDLE	S.S.
8	NUT	A.I.S.I.304/316
9	SEAT	P.T.F.E.
10	SEAL	P.T.F.E.
11	BODY SEAL	P.T.F.E.



SIZE	A	B	C	D	E
15(N.B.)	80	12	65	T.C.Ø-35	100
20(N.B.)	80	19	70	T.C.Ø-35	100
25(R.B.)	80	19	70	T.C.Ø-50	135
25(N.B.)	95	25	72	T.C.Ø-50	135
40(N.B.)	115	38	80	T.C.Ø-50	150
50(R.B.)	115	45	85	T.C.Ø-63.5	150
50(N.B.)	115	50	90	T.C.Ø-63.5	150
65(R.B.)	120	50	90	T.C.Ø-77	180